

# Digital Unit Door Panel

## Instructions

Before using this device, please read this manual and properly stored it for future reference

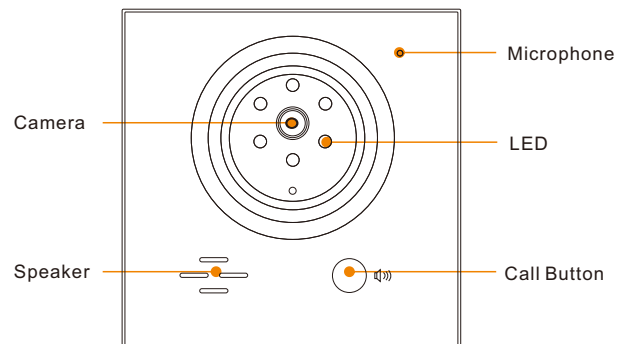
**Model:** TC-U9DA-C

## Content

1. The basic structure of the door phone unit	1
1). The instruction for appearance and function module of door phone unit	1
2). The basic interface type of door phone unit	2
3). The description for basic interface of door phone unit	3
2. Introduction of the door phone unit	3
1). The keyboard of door phone unit instructions	3
2). Introduction of the basic functions	3
3. The instruction of common functions for the door phone unit	3
1). Intercom calling	3
2). Indoor machine monitoring	4
3). The unlock	4
4. The configuration instructions of door phone unit	4
1). Automatic configuration of system startup	4
2). Configuration of the door phone unit IP address	4

### 1. The basic structure of the door phone unit

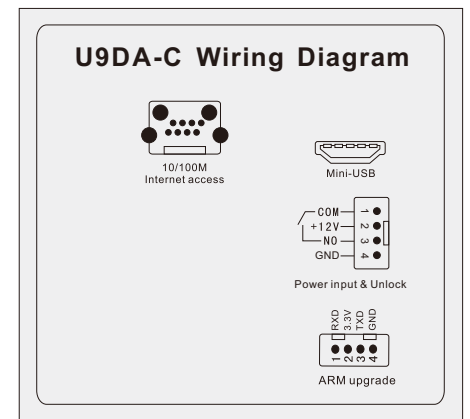
#### 1). The instruction for appearance and function module of door phone unit



### 2). The basic interface type of door phone unit

- The power interface
- The network interface
- The unlock interface

Note: RJ45 network port connect with 8 wire CAT-5 cable to the router



The wiring diagram

3). The description of basic interface for the door phone unit

- The power interface : 12V DC
- The unlock interface: The internal relay contact (normal open)
- RJ45 port

Network cable length: it is better not longer than 80m

Wire sequence of network interface:

1	2	3	4	5	6	7	8
White Orange	Orange	White Green	Blue	White Blue	Green	White Brown	Brown

### 3. The instruction of common functions for the door phone unit.

1). Intercom calling

Call methods: Presses the call button to call the resident, and there is a call voice prompt.

Call response: It will ringing after the call succeeded, otherwise it will prompt failure:

Answer: After connect to the indoor machine, voice will prompt answering , then the system will stop ringing .

Calling hang up: press the call button to hang up, voice prompt with hang up.

Image transmission: After the call succeeded, the door phone unit will transfer images to the resident.

Automatic hang up: If there is no answer in 30s from the indoor machine, the call will automatically hang up, and during the intercom talking, it will automatically hang up with 3 minutes.

## 2. Introduction of the door phone unit

1). The keyboard of door phone unit instructions

There is a button on the keyboard of door phone unit , and it is used to call and hung up

2). Introduction of the basic functions :

- Intercom calling
- System monitoring
- The unlock
- Remote configuration and update
- Voice prompt function

2). Indoor machine monitoring

- The indoor machine monitor the outdoor phone unit and outdoor phone unit transfer video to the indoor machine.
- Indoor machine answering the door phone unit, it can transmit the audio data.
- When indoor machine monitor the outdoor phone unit, it can operate the unlock.
- Outdoor machine can response the hang up command from the indoor monitors.
- Automatically hang up: intercom talking will automatically hang up for 3 minutes.

3). The unlock

- Unlock under monitoring: when the door phone unit is in a state of monitored intercom, when the monitoring equipment proceed the unlock operation, the door phone unit will have corresponding unlock actions.

- Call and unlock: When the door phone unit called the indoor machine, and received the unlock command, it will respond to unlock actions.

## 4. The configuration instructions of door phone unit

1). Automatic configuration of system startup

when system startup, allocate according to the factory default IP address, it's IP address can be automatic configured by the management center.

2). Configuration of the door phone unit IP address

The network card physical address:

The MAC address for each door phone unit is unique on the global network.

The IP address configuration way:

a. setting the IP database of the intercom by the management center, and choose the resident which have given the IP address for the door phone unit, the management center can searching the online device, setting it to the given IP, and the IP address of the door phone unit will be automatically changed.

b. setting the IP address by the indoor machine, and connect the door phone unit to the same network of the indoor machine, enter the door phone configure menu, the indoor machine can searching the online device, setting it with the given IP, and the door phone unit can be automatically configured.