

Digital Intercom Indoor Monitor

Instructions

Before using this device, please read this manual and properly stored it for future reference

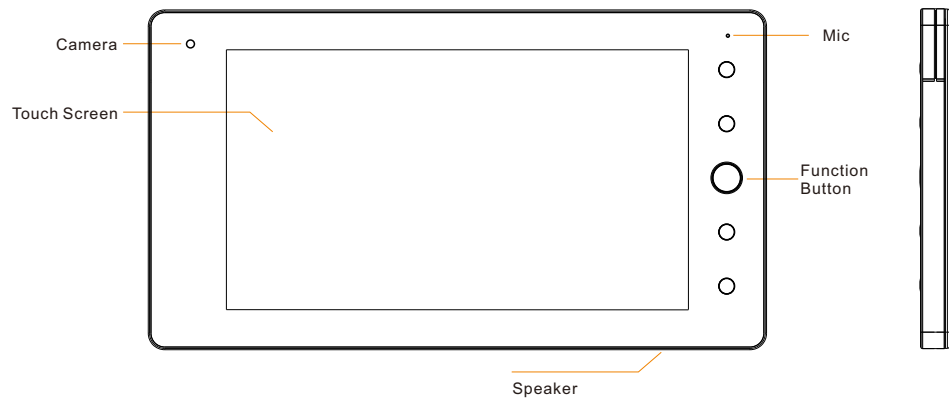
Model: TC-U9ZK-W1

Content

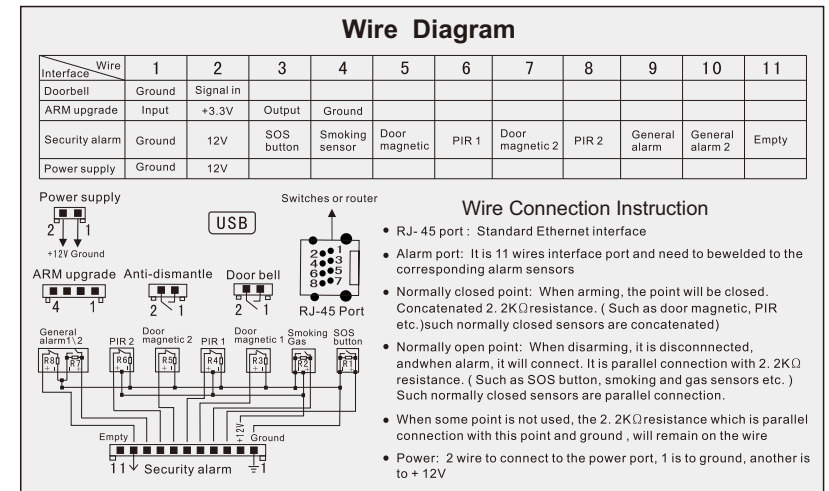
1. The basic structure of the indoor monitor	1
1). The instruction for appearance and function module	1
2). The pin configure and wire diagram	2
2. Installation Instruction	3
3. The instruction of common functions for the indoor monitor	4
4. Trouble Shooting	5
5. Safety Use Instruction	5
6. Accessories	6

1. The basic structure of the indoor monitor

1). The instruction for appearance and function module

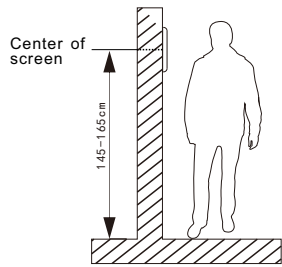


2). The pin configure and wire diagram



2. Installation Instruction

1). Positioning

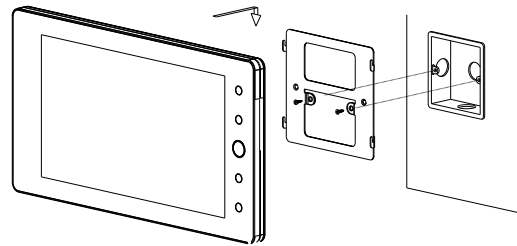


The best installation height of the indoor monitor is the center of the screen is about 145-165cm from the ground. (This data is just for reference)



- Cut off the power supply before mounting
- Deep 86 Gang Box is recommended

2). Installation sketch map



1. Embedded 86X86 embedded box on the wall, about 150cm from the ground.
2. Use screws to fix bracket on the 86 gang box.
3. After the devices connecting the wires, hang the device on the iron hanging plate

- 3 -

3. The instruction of common functions for the indoor monitor

1). Keyboard

Answer/Hang up:

When somebody calls, press it to answer, and press again to end the call

Unlock:

Short press to unlock

Home:

Press it return to the home interface under any operation status

Back:

Press it back to the last operation menu.

Menu:

Press it to popup the sub menu interface.

2). Operation Instruction



The detail operation instruction including to the "HELP" menu, from the main interface you can find the icon "instruction", enter it for the details.

3). Home Automation



Enter the home automation menu, you can directly operate the configured device for each room, it is wireless control between the indoor monitor (gateway) to the device.

4). Video Intercom



Enter the video intercom menu, you can monitor the configured door phone, or call to the management center, and you can check the call records or video message.

- 4 -

4. Trouble Shooting

Can't start the machine:

- Power adapter failure, or no power supply from the power center.
- The DC12V power plug pin mistake the positive and negative pole.

Dull response of the touch screen, or abnormal touch response:

- Make sure the operate finger clear and dry.
- Try to restart the system

Connect the indoor monitor to PC by USB cable:

- Install the Android pad assist software to PC.
- Connect the indoor monitor to the PC by USB cable.
- Operation as the normal Android Pad

Default Password:

- Project setting default password: 123456
- Security disarming default password: 123

System crash:

- Press reset to restart the system.

5. Safety Use Instruction

Keep your device away from any liquid, if liquid into the machine, may cause serious damage and may lose your warranty.

Avoid to using the device in any dusty or dirty environment, the dust may cause the damage.

Make sure your device stable and avoid any crash or hard collision.

Keep your device away from magnetic field.

- 5 -

6. Accessories

Please check if the follow accessories are contained in the package before you start the device.

- Indoor Monitor Main Body.
- Wall Bracket
- 8ch Security alarm plug set
- Instruction Manual
- 2Pin Cable for Power and Doorbell

- 6 -