

Digital Intercom Indoor Monitor

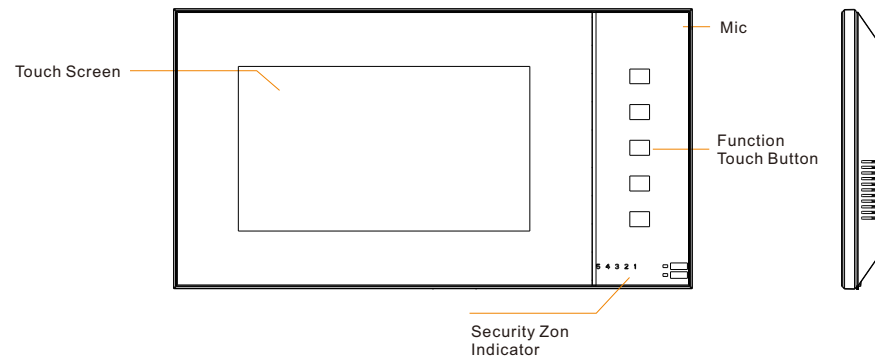
Instructions

Before using this device, please read this manual and properly stored it for future reference

Model: TC-U9ZK-Q1

1. The basic structure of the indoor monitor

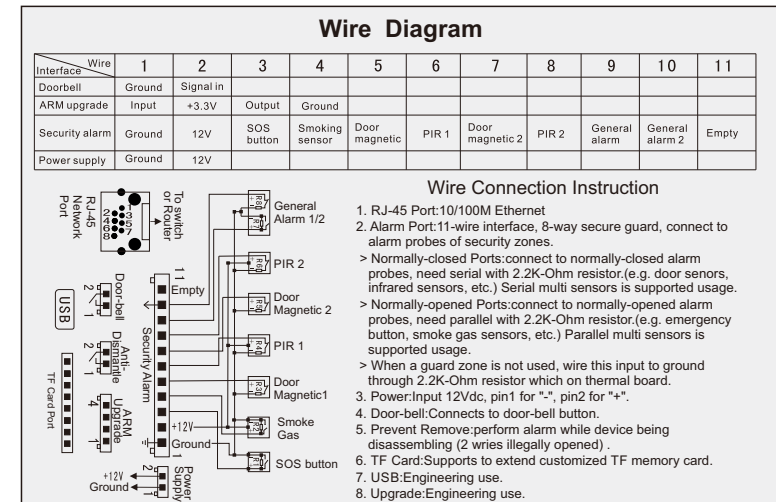
1). The instruction for appearance and function module



Content

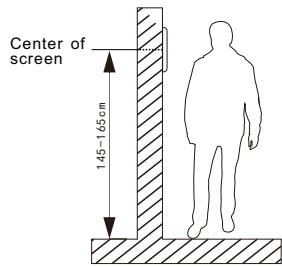
1. The basic structure of the indoor monitor	1
1). The instruction for appearance and function module	1
2). The pin configure and wire diagram	2
2. Installation Instruction	3
3. The instruction of common functions for the indoor monitor	4
4. Trouble Shooting	5
5. Safety Use Instruction	6
6. Accessories	6

2). The pin configure and wire diagram



2. Installation Instruction

1). Positioning

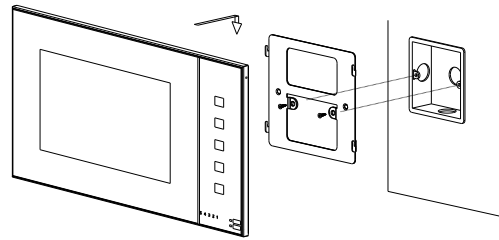


The best installation height of the indoor monitor is the center of the screen is about 145-165cm from the ground. (This data is just for reference)



- Cut off the power supply before mounting
- Deep 86 Gang Box is recommended

2). Installation sketch map



1. Embedded 86X86 embedded box on the wall, about 150cm from the ground.
2. Use screws to fix bracket on the 86 gang box.
3. After the devices connecting the wires, hang the device on the iron hanging plate

- 3 -

3. The instruction of common functions for the indoor monitor

1). Keyboard

- Answer/hang up:** When somebody calls, press to answer, and press again to end the call
- Unlock:** Short press to unlock
- Monitor:** Short press to monitor the outdoor station, long press for 4 seconds to monitor the doorphone
- Call:** Short press to call the management center, Long press for 4 s to modify the bell, long press for 4s to change to next bell, Press "Answer/hang up" to confirm.
- Query:** short press to query information, long press 4 seconds to leave a message.
- Non-disturb:** Long press "answer/hang up" for 4s to enter non disturb pattern, long press for 4s again to quit.

2). Indicator

- Power indicator:**
Red light will bright when power on
- Message indicator:**
Receive message, the red light will bright
- Non-disturb indicator:**
When enter non-disturb, red light will bright
- Arming indicator:**
When arming, the red light will bright.
- 1 2 3 4 Defence area indicator:**
1, 2, 3, 4 correspond to 1 ~ 4 defence area. When there is sensor alarm, the corresponded red light will bright
- Alarm indicator:**
When alarm, red light will bright. Flash means alarm delay

- 4 -

3). Operation Instruction



The detail operation instruction including to the "HELP" menu, from the main interface you can find the icon "instruction", enter it for the details.

4). Home Automation



Enter the home automation menu, you can directly operate the configured device for each room, it is wireless control between the indoor monitor (gateway) to the device.

5). Video Intercom



Enter the video intercom menu, you can monitor the configured door phone, or call to the management center, and you can check the call records or video message.

4. Trouble Shooting

- Can't start the machine:**
 - Power adapter failure, or no power supply from the power center.
 - The DC12V power plug pin mistake the positive and negative pole.
- Dull response of the touch screen, or abnormal touch response:**
 - Make sure the operate finger clear and dry.
 - Try to restart the system
- Connect the indoor monitor to PC by USB cable:**
 - Install the Android pad assist software to PC.
 - Connect the indoor monitor to the PC by USB cable.
 - Operation as the normal Android Pad
- Default Password:**
 - Project setting default password: 123456
 - Security disarming default password: 123
- System crash:**
 - Press reset to restart the system.

- 5 -

5. Safety Use Instruction

- Keep your device away from any liquid, if liquid into the machine, may cause serious damage and may lose your warranty.
- Avoid to using the device in any dusty or dirty environment, the dust may cause the damage.
- Make sure your device stable and avoid any crash or hard collision.
- Keep your device away from magnetic field.

6. Accessories

Please check if the follow accessories are contained in the package before you start the device.

- Indoor Monitor Main Body.
- Wall Bracket
- 8ch Security alarm plug set
- Instruction Manual
- 2Pin Cable for Power and Doorbell

- 6 -